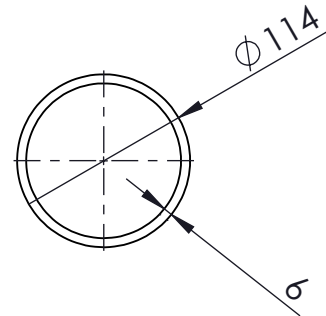
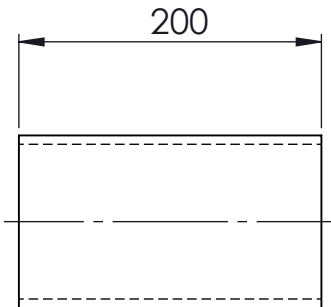
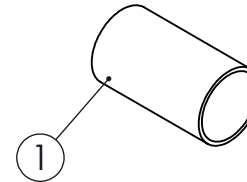


| ITEM NO. | DESCRIPTION | LENGTH | MATERIAL | MASS (kg) |
|----------|-------------|--------|----------------------|-----------|
| 1 | 114x6.0 CHS | 200 | 316L STAINLESS STEEL | 3.27 |



MATERIAL:- 316L STAINLESS STEEL

80NB SHED 40 PIPE 316 S/S WEIGHT - 3.27 kg

UNLESS OTHERWISE SPECIFIED: TOLERANCES: MACHINE + / - 0.25mm FABRICATION + / - 1.0 mm

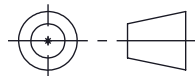
DIMENSIONS IN MILLIMETRES

CLIENT

TITLE:

THIS DRAWING IS THE PROPERTY OF MECHANICAL ENGINEERING & CAD SERVICES (MECS) Pty Ltd & MUST NOT BE MANUFACTURED FROM, COPIED OR TRANSMITTED TO A THIRD PARTY WITHOUT THE PRIOR APPROVAL FROM MECHANICAL ENGINEERING & CAD SERVICES (MECS) Pty Ltd

MECS
Mechanical Engineering & CAD Services
 11 Campbell Place WAGGA NSW 2650
 Ph: - 0409 985 816
 Email: nick@mecservices.com.au



THIRD ANGLE PROJECTION

WEIGHT: 3.27 kg

RODDY
ENGINEERING

14 Waratah St TUMUT NSW 2720
 Ph: - 02 6947 4039
 Email: roddyeng.com.au

80NB SHED 40 PIPE 316 S/S

DWG NO. 13-2919-7-1

A4

DRAWN N DE BRUYN DATE 19/09/2025 SCALE:1:5 SHEET 1 OF 1