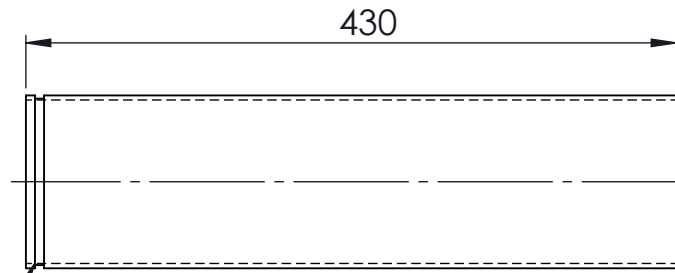
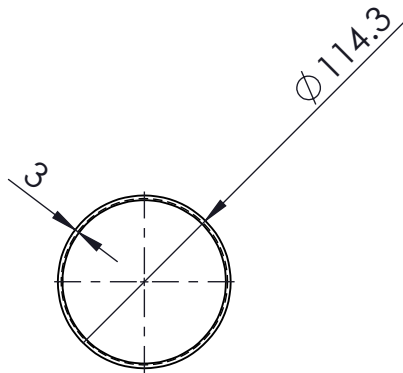
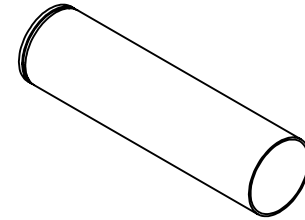


ITEM NO.	DESCRIPTION	LENGTH	MATERIAL	MASS (kg)
1	114x3.100 CHS	430	316L STAINLESS STEEL	3.69



GROOVE ONE END ONLY

MATERIAL:- 316L STAINLESS STEEL

100NB SHED 10 PIPE 316 SS VICTAULIC GROOVED WEIGHT - 3.69 kg

UNLESS OTHERWISE SPECIFIED: TOLERANCES: MACHINE +/- 0.25mm FABRICATION +/- 1.0 mm

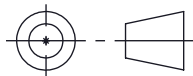
DIMENSIONS IN MILLIMETRES

CLIENT

TITLE:

THIS DRAWING IS THE PROPERTY OF MECHANICAL ENGINEERING & CAD SERVICES (MECS) Pty Ltd & MUST NOT BE MANUFACTURED FROM, COPIED OR TRANSMITTED TO A THIRD PARTY WITHOUT THE PRIOR APPROVAL FROM MECHANICAL ENGINEERING & CAD SERVICES (MECS) Pty Ltd

MECS
Mechanical Engineering & CAD Services
 11 Campbell Place WAGGA NSW 2650
 Ph: - 0409 985 816
 Email: nick@mecservices.com.au



THIRD ANGLE PROJECTION

WEIGHT: 3.69 kg

RODDY
ENGINEERING

14 Waratah St TUMUT NSW 2720
 Ph: - 02 6947 4039
 Email: roddyeng.com.au

100NB SHED 10 PIPE 316 SS VICTAULIC GROOVED

DWG NO. 13-2933-1-1

A4

DRAWN N DE BRUYN DATE 19/09/2025 SCALE:1:5 SHEET 1 OF 1