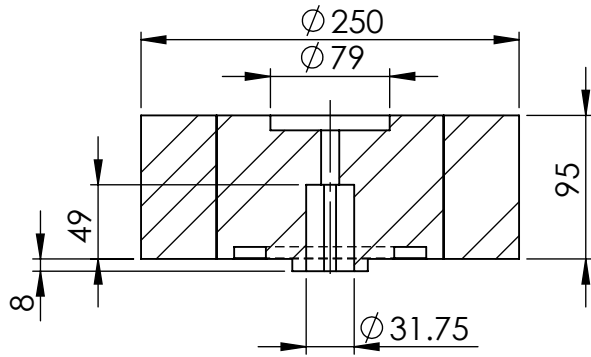
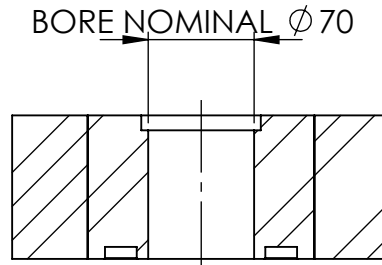


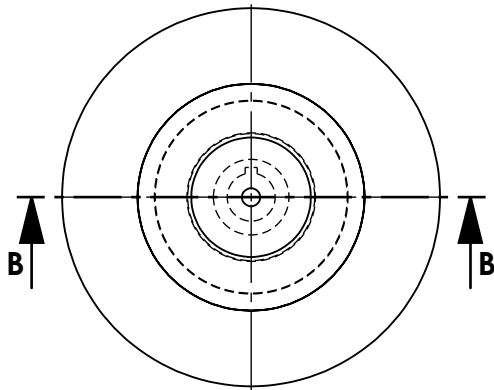
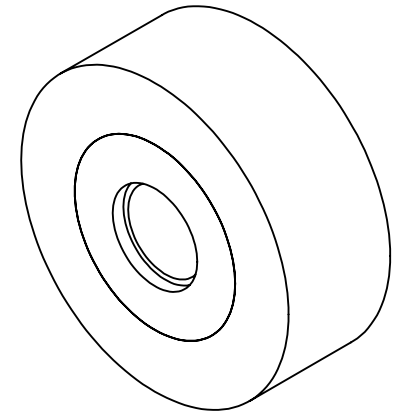
DIMENSIONS IN MILLIMETRES



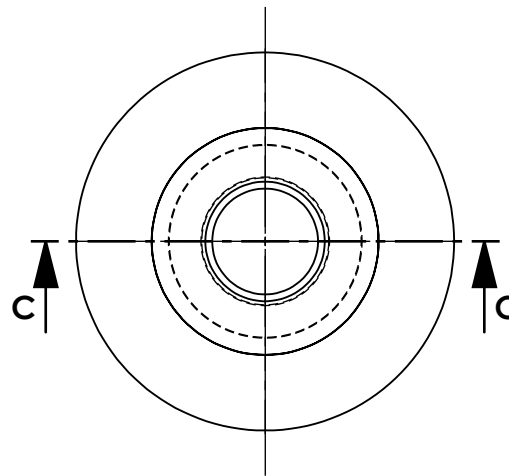
SECTION B-B



SECTION C-C



ORIGINAL WHEEL



WHEEL AFTER BORING

UNLESS OTHERWISE SPECIFIED: TOLERANCES: MACHINE +/- 0.25mm FABRICATION +/- 1.0 mm

THIS DRAWING IS THE PROPERTY OF MECHANICAL ENGINEERING & CAD SERVICES (MECS) Pty Ltd & MUST NOT BE MANUFACTURED FROM, COPIED OR TRANSMITTED TO A THIRD PARTY WITHOUT THE PRIOR APPROVAL FROM MECHANICAL ENGINEERING & CAD SERVICES (MECS) Pty Ltd



THIRD ANGLE PROJECTION

WEIGHT: 13 Kg

MECS
Mechanical Engineering & CAD Services
 11 Campbell Place WAGGA NSW 2650
 Ph: - 0409 985 816
 Email: nick@mecservices.com.au

TITLE: TRUSS TROLLEY WHEEL			
DWG NO. 3991-15	REV	A4	
DRAWN N DE BRUYN	DATE 31/12/2025	SCALE: 1:5	SHEET 1 OF 1