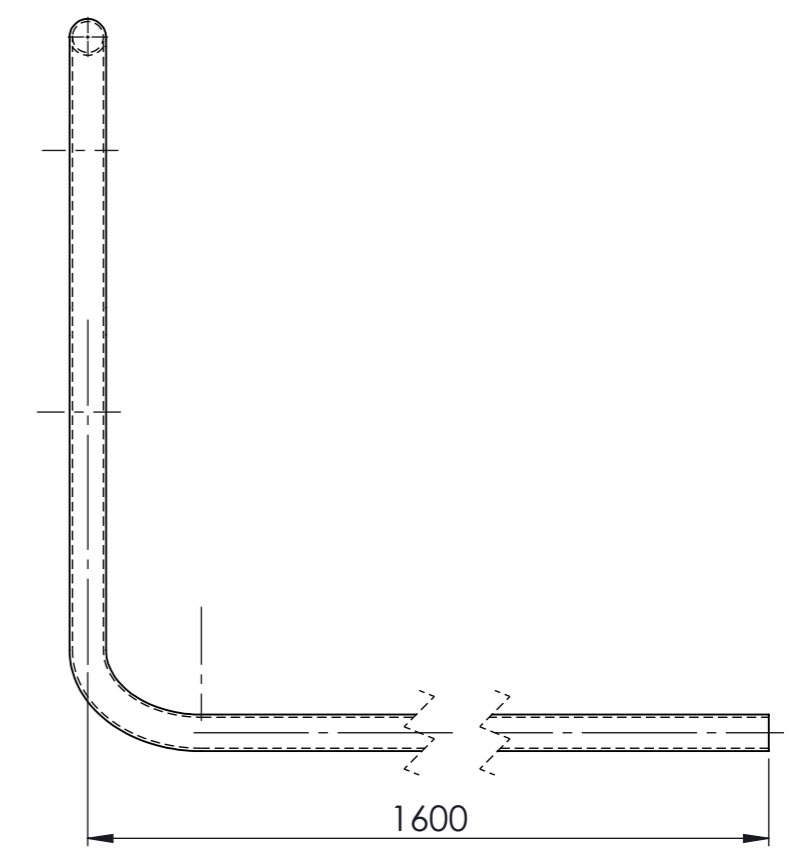
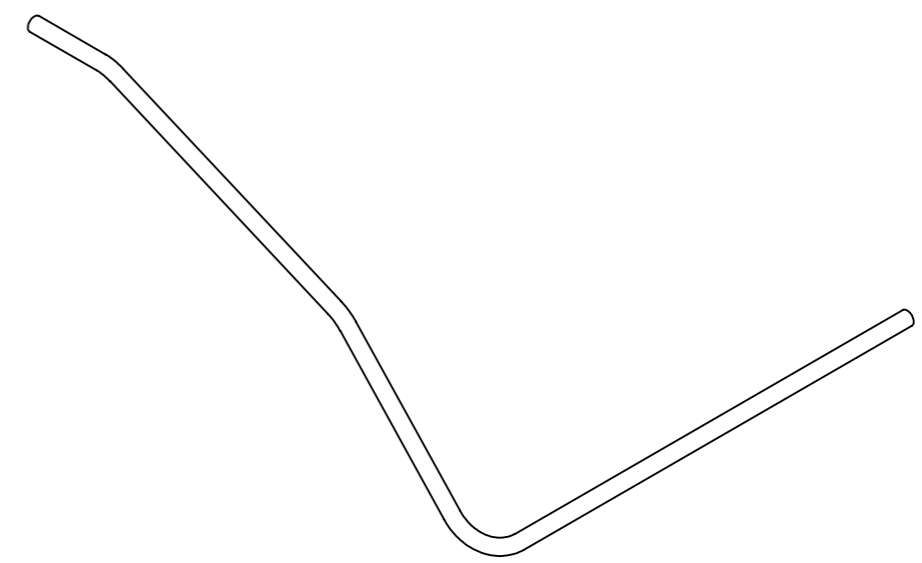
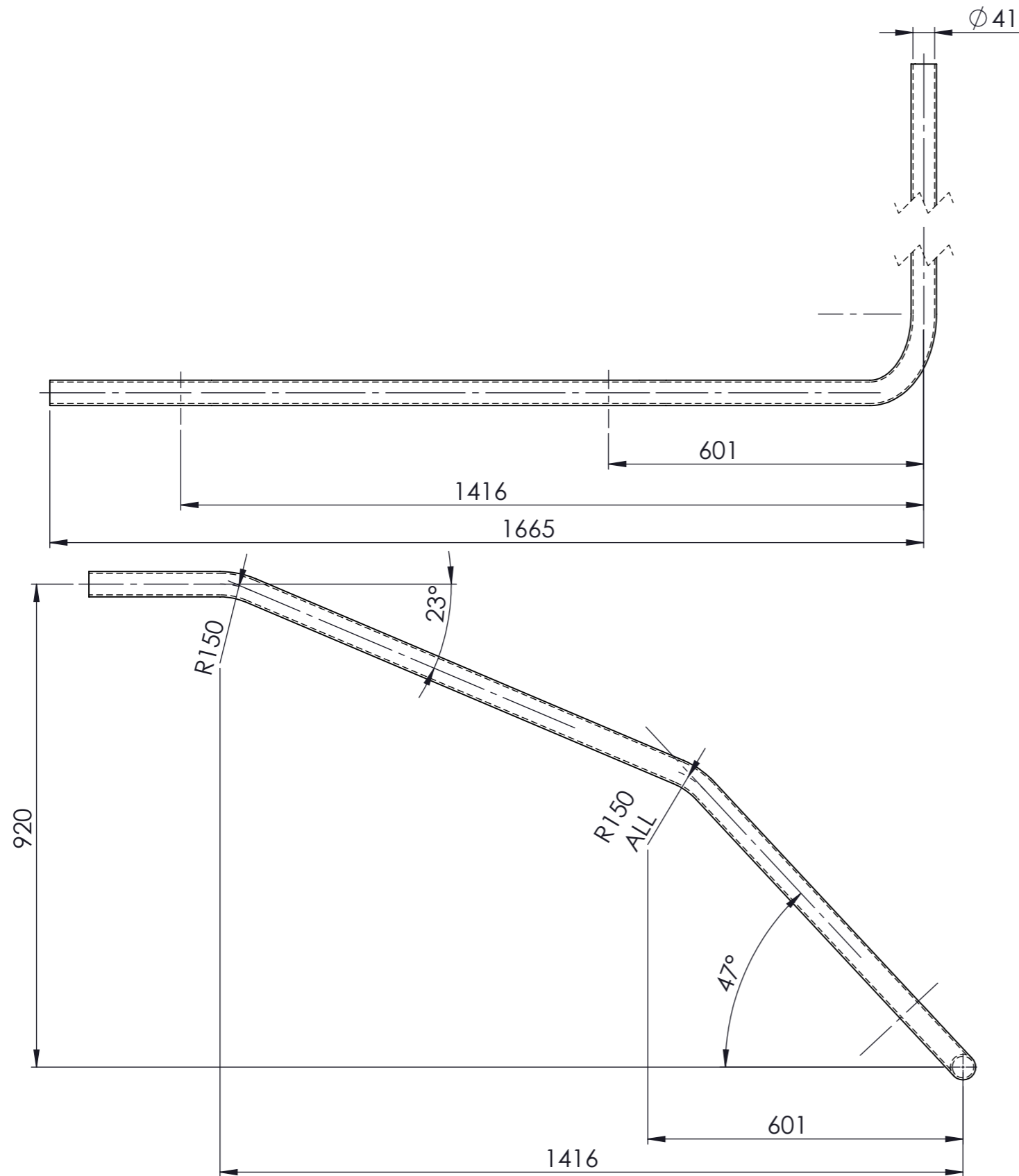


DIMENSIONS IN MILLIMETRES

ITEM NO.	DESCRIPTION	LENGTH	QTY	MASS (kg)
1	48x4 CHS	3513	1	14.50



40NB SHED 40 PIPE V2904-PIPE 3 WEIGHT -

14.50 kg

MATERIAL:- 316L STAINLESS STEEL

UNLESS OTHERWISE SPECIFIED: TOLERANCES: MACHINE + / - 0.25mm FABRICATION + / - 1.0 mm		DIMENSIONS IN MILLIMETRES		CLIENT		TITLE:			
THIS DRAWING IS THE PROPERTY OF MECHANICAL ENGINEERING & CAD SERVICES (MECS) Pty Ltd & MUST NOT BE MANUFACTURED FROM, COPIED OR TRANSMITTED TO A THIRD PARTY WITHOUT THE PRIOR APPROVAL FROM MECHANICAL ENGINEERING & CAD SERVICES (MECS) Pty Ltd		 <b>Mechanical Engineering &amp; CAD Services</b> 11 Campbell Place WAGGA NSW 2650 Ph: - 0409 985 816 Email: nick@mecservices.com.au		 THIRD ANGLE PROJECTION		 14 Waratah St TUMUT NSW 2720 Ph: - 02 6947 4039 Email: roddyeng.com.au		40NB SHED 40 PIPE V2904-PIPE 3	
				DWG NO. J003435-63		REV		A3	
				DRAWN N DE BRUYN		DATE 28/03/2024		SCALE:1:10 SHEET 1 OF 1	